

Marley Accessories

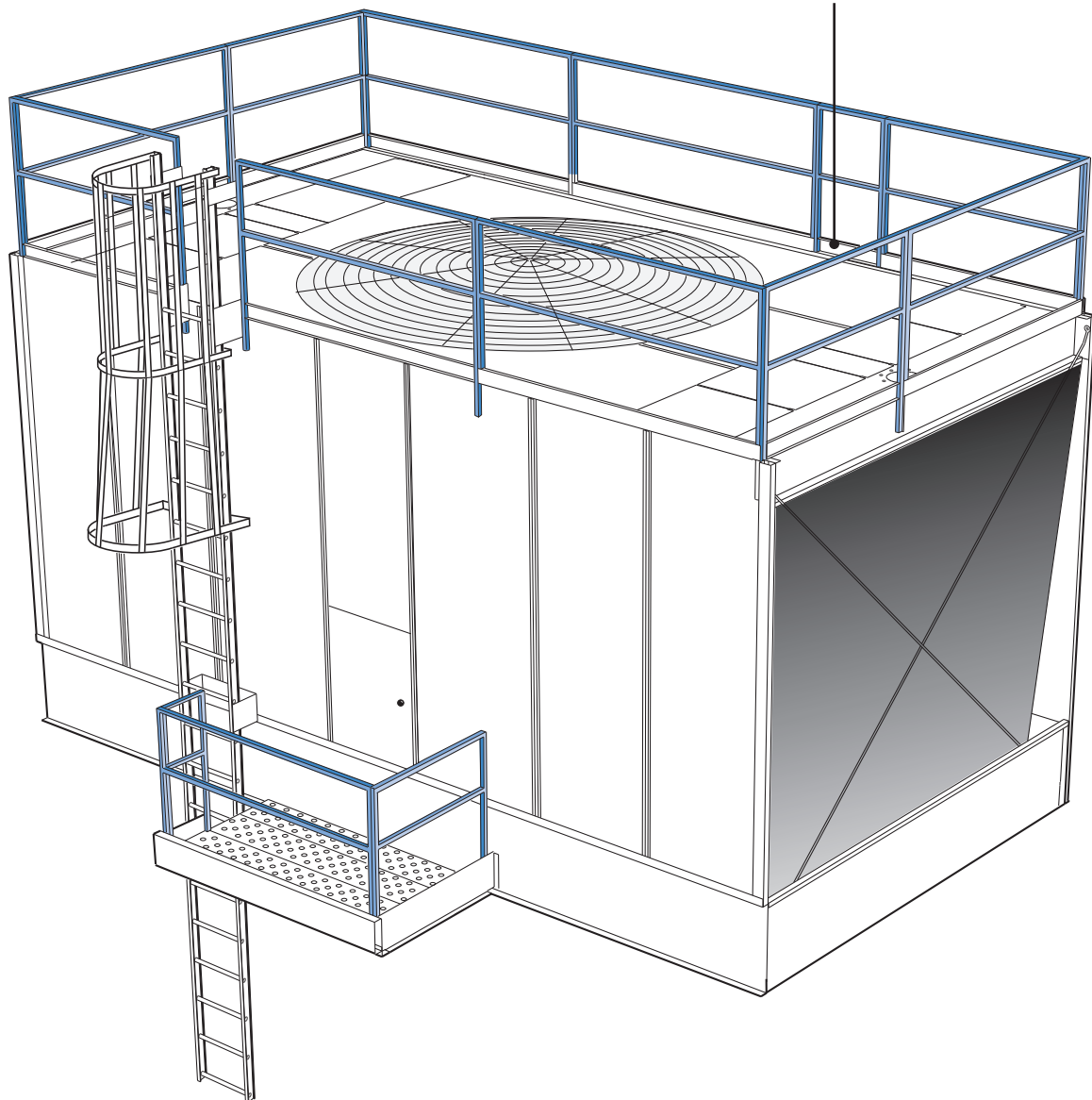
Easy Fit Guardrail and Safety Cage System for Marley NC[®]

The new guardrail system for NC towers offers faster assembly and easier maintenance. A significant reduction in parts and clear instructions ensure that your guardrails are assembled accurately and securely.

*Pre-assembled parts
make installation easy*

*Complies with
OSHA standards*

*Integrated toe
board*



Pre-Assembled

Guardrails are shipped as large welded sections that are self fixturing for easy and simple installation.

Fewer Parts

With 130 fewer parts to contend with, you save both time and effort.

One Bolt Diameter

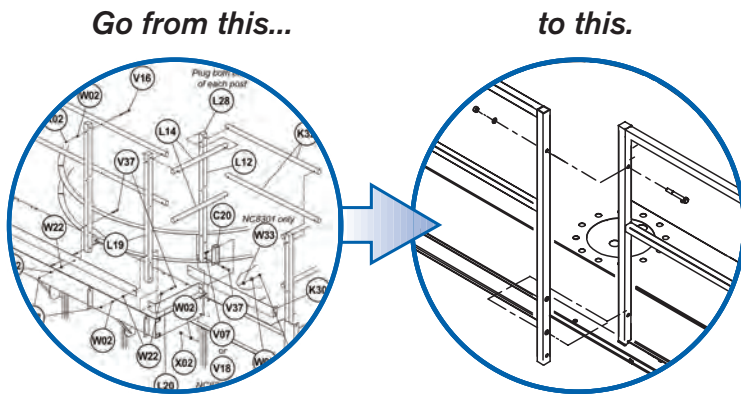
No more switching tools. Install your rails quickly without searching for the right tool for a variety of bolt sizes.

Marley Accessories

Easy Fit Guardrail and Safety Cage System for Marley NC

Clear Instructions

User-friendly installation instructions take the guesswork out of assembling your guardrails.



Simpler is Safer

A significant reduction in parts and new clear instructions ensure that your easy fit guardrails are assembled accurately and securely.

Guardrail single cell example

Element	Old Design	New Design	Reduction
Steel parts total	41	11	73%
Plastic plugs total	56	0	100%
Hardware pieces total	262	132	50%
Number of unique pieces	8	4	50%
Number of bolt diameters	2	1	50%

Safety cage example

Element	Old Design	New Design	Reduction
Cage pieces total	27	4	85%
Hardware pieces total	274	128	53%
Number of unique pieces	7	3	57%
No. of bolt/screw diameters	2	1	50%

SPX

COOLING TECHNOLOGIES

7401 WEST 129 STREET
OVERLAND PARK, KANSAS 66213
UNITED STATES
913 664 7400
spxcooling@spx.com
spxcooling.com

In the interest of technological progress, all products are subject to design and/or material change without notice.
©2011 SPX Cooling Technologies, Inc.
Printed in USA | ACC-NC-2B